

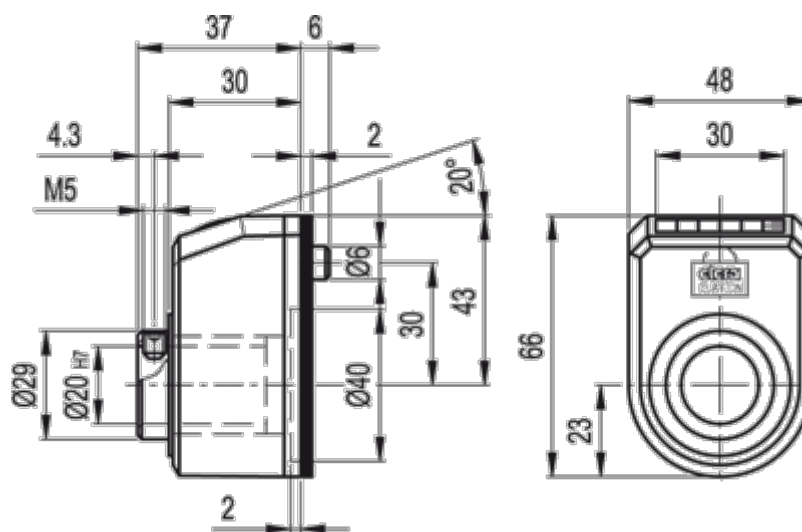
# Data Sheet



Article number: 2307082134

Description: E+G Direct drive position indikator  
DD52R-AN-001.00-S-C2 (Orange)

## Measures



Max rpm = 250